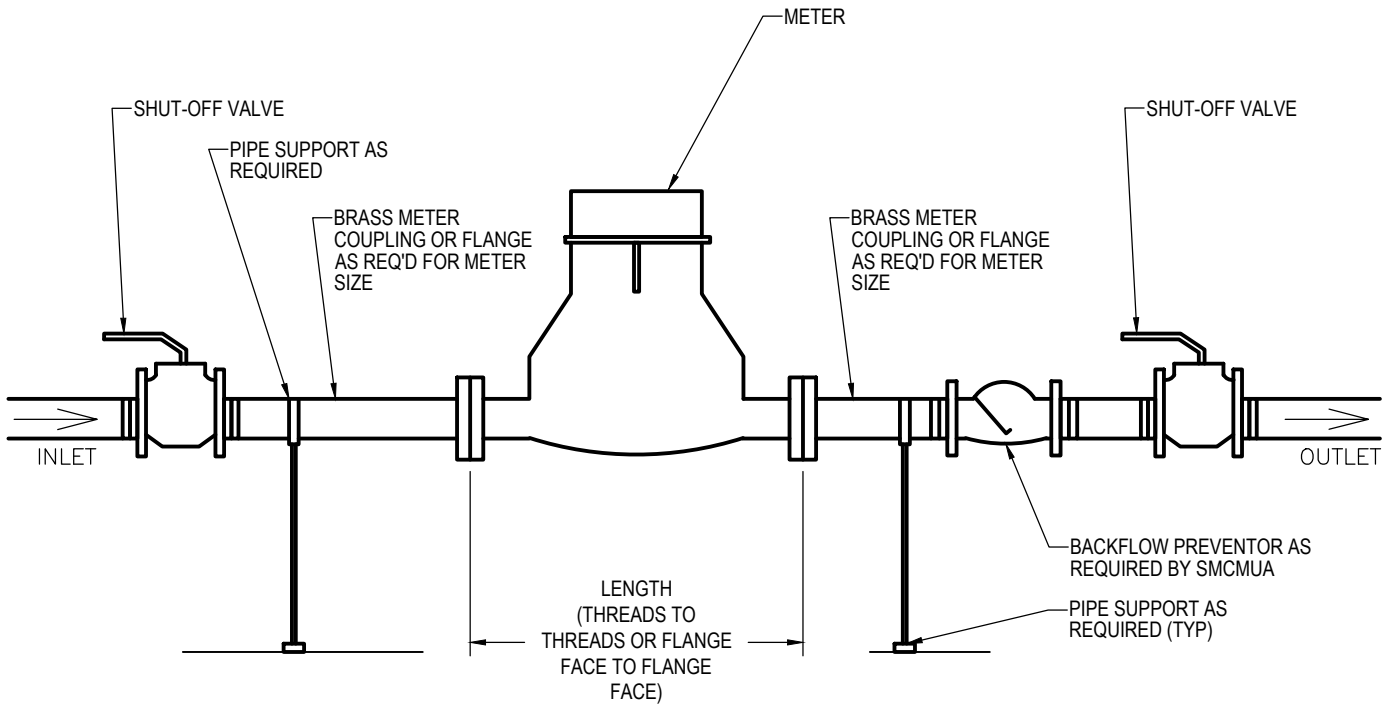


Q:\DEVELOPMENTS\master documents\CAD details\2022 standard details.dwg



METER SIZE	LENGTH
5/8" & 5/8" X 3/4"	7-1/2"
3/4"	9"
1"	10-3/4"
1-1/2"	13"
2"	17"

NOTES :

1. ALL PLUMBING SHALL BE INSTALLED AS PER THE PLUMBING CODE.
2. 3/4" AND 1" METERS MAY BE REQUIRED TO BE INSTALLED IN A METER PIT AS DETERMINED BY SMCMUA.
3. PIPING, COUPLING AND PIPE SUPPORTS SHALL BE SET IN PLACE BY CONTRACTOR FOR SMCMUA METER INSTALLATION.
4. IF A PRESSURE REDUCING VALVE IS REQUIRED, IT SHALL BE INSTALLED DOWNSTREAM OF THE METER ASSEMBLY.
5. METERS MUST BE SET NEAR THE POINT OF ENTRANCE OF THE INLET PIPE INTO THE BUILDING.
6. METERS MUST BE LOCATED SO THAT THEY WILL BE PROTECTED FROM FREEZING OR OTHER DAMAGE.
7. METERS MUST NOT BE SET IN LOCATIONS WHERE ACCESS FOR READING AND MAINTENANCE IS RESTRICTED.

NO.	DATE	REVISION

SMCMUA
 SOUTHEAST MORRIS COUNTY
 MUNICIPAL UTILITIES AUTHORITY
 19 SADDLE ROAD
 CEDAR KNOLLS, NJ 07927
 973-326-6160
 www.smcmua.org

**METER SETTING
 BUILDING INTERIOR**

DATE: 9/22/2023
 DESIGNED BY: PAD
 CHECKED BY: -
 DRAWN BY: PAD
 SCALE: NTS
 SHEET: 1 of 1