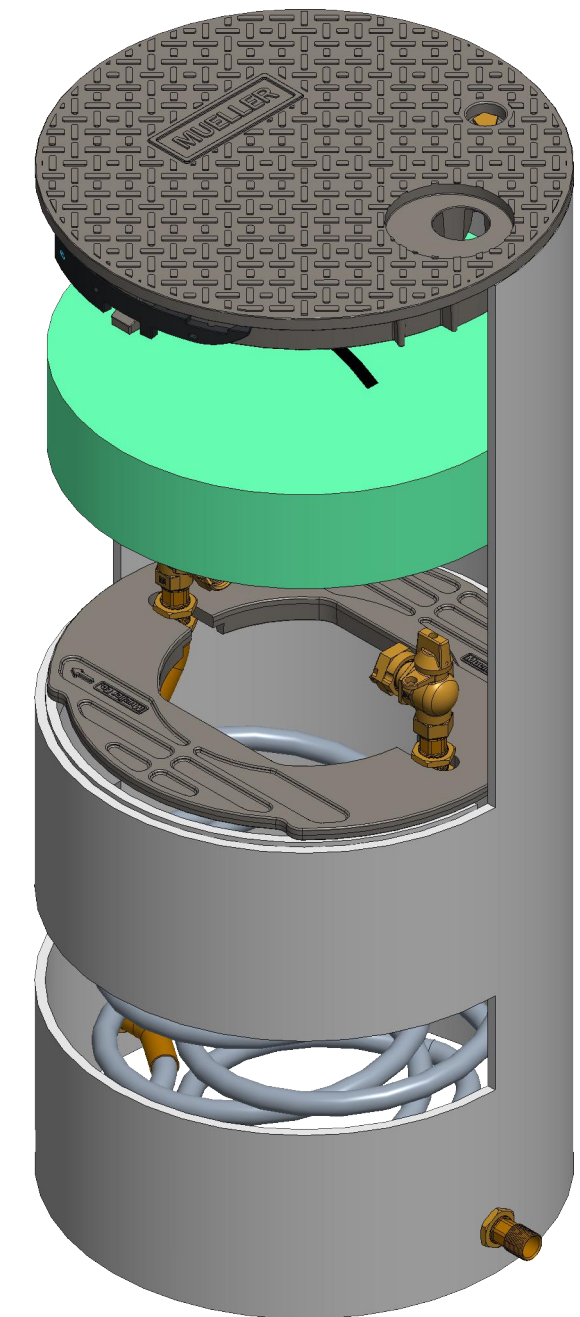
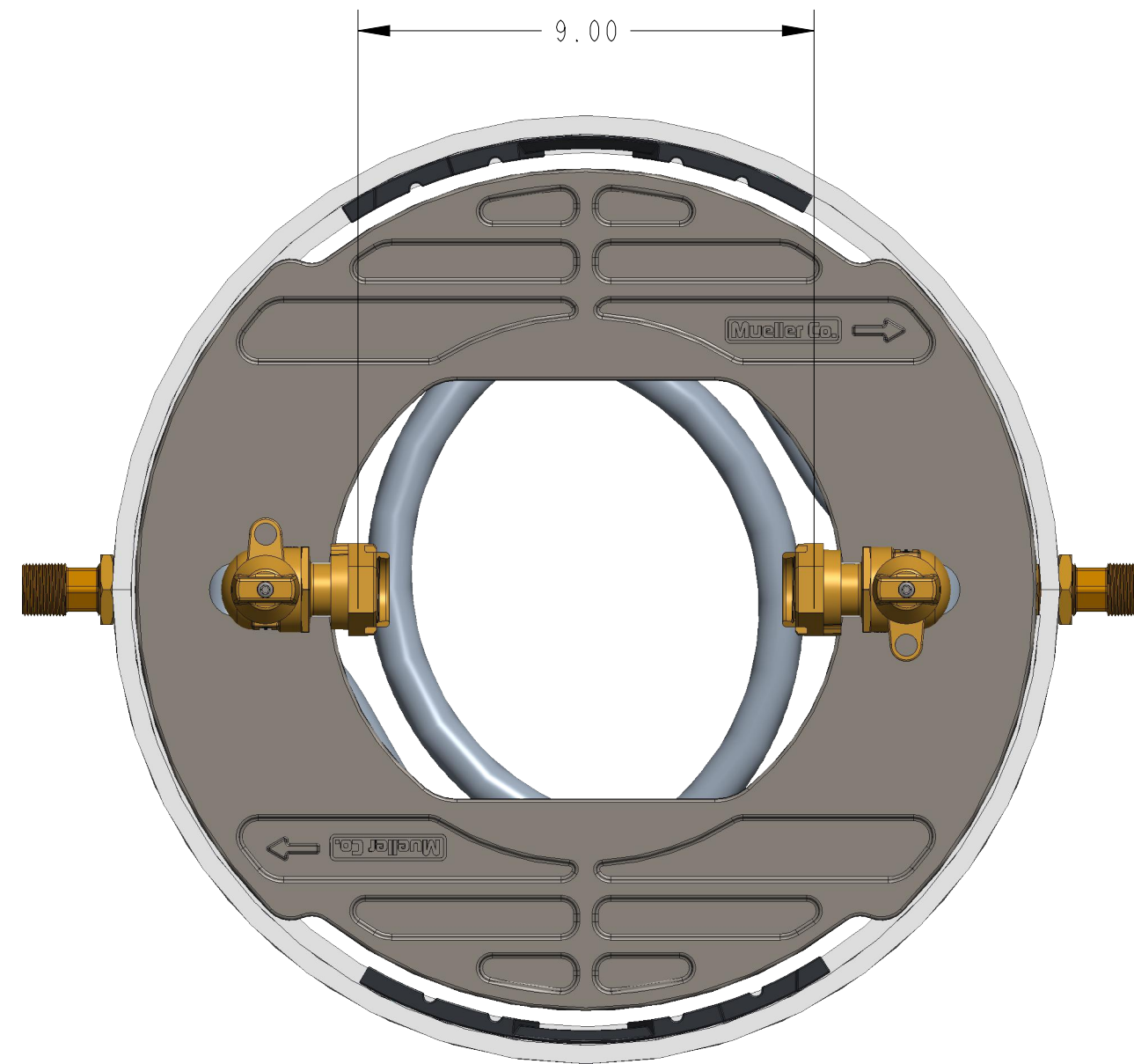


ITEM NO	PART NUMBER	QTY	DESCRIPTION
1	311955-RTR	1	18" DIA SIDE LOCKING COMPOSITE LID (SOLD SEPARATELY)
2	311981	1	ABS PLATFORM 18-40
3	700013_REVE	4	3/4" HOSE CONNECTOR
4	700035-1542	2	COIL PART
5	780021-1842	1	SHELL SUB ASSEMBLY
6	790006	8	3/4" HEX NUT
7	790153	1	18" INSULATION PAD (SOLD SEPARATELY)
8	215B2426505N	2	5/8" X 3/4" OR 3/4" FULL PORT BALL VALVE WITHOUT LOCKWING



3/4" NPT THREADS
INLET AND OUTLET

DR. BY	AOD	11/03/22	UNLESS OTHERWISE NOTED	THIRD ANGLE PROJECTION		C.B. NO.
CHKR			BREAK CAST CORNER(S)---			PATT. NO.
ENGR			BREAK MACH CORNER(S)---			
MGR			TOLERANCES	REF. NO.	SCALE	STR. NO.
MFG			UNLESS OTHERWISE NOTED			
TOOL			LINEAR			
FDRY			±	ANGULAR		
MAT'L:						
MUELLER			DESCR. 3/4" COIL SINGLE METER PIT 18" DIA X 42" DEPTH LOW LEAD BRASS		NUMBER 250CS1842CCBSN	